

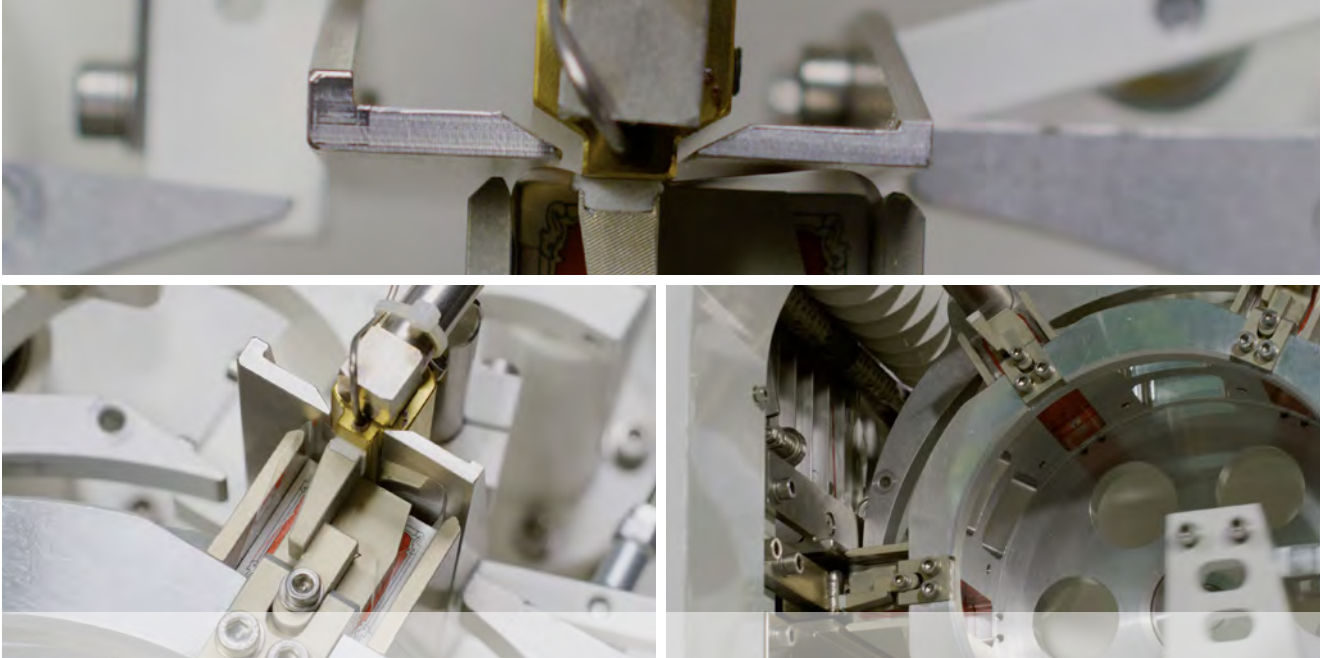


Model: ZE-30

## HST ZE-30

### Key Advantages

- 100% German Engineering
- Reliable mechanical technology
- Long life cycle
- Compact size
- Easy assembly, operation and maintenance
- Low maintenance and spare part costs
- Very low energy consumption
- Reasonable machine price

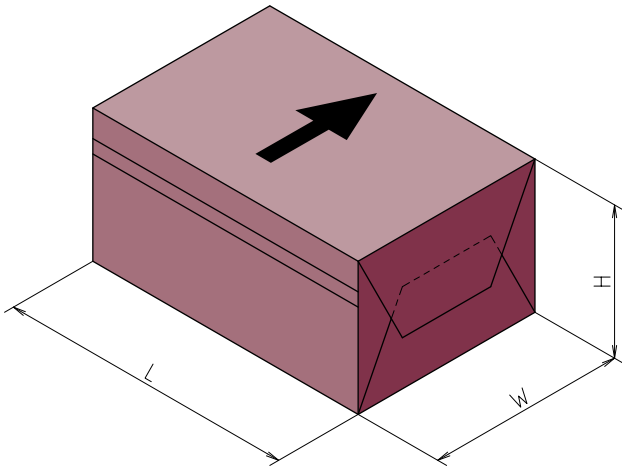


## HST ZE-30

The ZE-30 is a state-of-the-art full impact machine with rotating folding and Sealing systems. It is suitable for processing very thin PP films. It can be Production speeds of up to 240 windings per minute can be realized.

The machine has a start / stop function (automatic restart) which allows the Machine stops when material is too low and again when there is enough material starts automatically.

The machine can optionally be equipped with a threading device, pressure mark control and a Roll cut to be equipped. Due to the robust balcony construction, the central drive system for all movements and the permanent bath lubrication makes the machine very low-stress and maintenance-free. The film reel can be changed within a very short time with the help of the "Filienweb End - Splicing -Device."



Specifications	Unit	ZE-30
Box size	[mm]	40 x 20 x 10 - 190 x 110 x 65
Foils		PP, PVC, cellophane, coated Papers
Maximum speed	[bags/min]	Up to 200 packs per minute, depending on the boxsize
Connection power   Average consumption	[kW]	4
Energy consumption	[kWh]	2,5
Dimensions	[cm]	310 x 70 x 185
Weight	[kg]	730
Compressed air	[bar]	6

All machines are equipped with Siemens PLC S7, with HMI (human machine interface)

Data depending from used materials as well as subject to possible technical modifications/improvements and therefore not necessarily definite.